

# Super Deluxe Series

## Undercounter Freezer

**Unique Energy Saving Design  
High Quality Stainless Steel Interior and Exterior**

**\* New NSF Standard 7**

Complies with and listed under ANSI/NSF-7

**\* Excellent Cooling System**

The powerful forced-air refrigeration system holds the pan and storage cabinet in a constant temperature.

Evaporator fans and a newly designed louver allows uniform distribution of cold air over the food pan to keep the food temperature within the New Standard 7.

**\* Clean Interior(TST-48SD, TST-28SD)**

We use NSF approved ABS sheet and highly densed polyurethane, forming perfectly to keep the cool air inside and makes it easy to clean without any joint-gaps.

**\* Adjustable Stainless Steel Wire Shelves**

Durable, and easy to adjust

**\* Stainless Steel Louver**

Stainless Steel Louver allows distribution of cold air to reach all corners of the unit. It is also built to withstand against food acids and stains, which makes for easy clean up.

**\* Self-contained System**

No plumbing required.

**\* CEC. California Energy Commission Certificated**

**\* MEA. City of New York Building Department Approved**

TUF-60SD



TUF-48SD



TUF-28SD



Model	Swing Door	CU./FT.	#of Shelves	HP	AMPS	Weight	L D H	List Price
TUF-28SD	1	6.5	2	1/4	7.5	190	27.5 x 30 x 29.7	2,774.00
TUF-48SD	2	12	4	1/3	8.3	260	48.2 x 30 x 29.7	3,973.00
TUF-60SD	2	16	4	1/2	12.5	340	60.2 x 30 x 29.7	Available Soon

\* Height dose not include 6" for caster height.



## CABINET INTERIOR/EXTERIOR SPECIFICATIONS

MODEL	(with caster)	TUF-28SD	TUF-48SD	TUF-60SD
Exterior Dimensions(LxDxH)		27.8"x30"x36"	48.2"x30"x36"	60.2"x30"x36"
Cubic Feet		6.5	12	16
Comp.		1/4 HP	1/3 HP	1/2 HP
Shelves		2 ea	4 ea	4 ea
Weight		190lbs	260lbs	340lbs
Power		115V / 60Hz	115V / 60Hz	115V / 60Hz
Amp		7.5 A	8.3 A	12.5 A
Lamp		25 W	25 W	25 W
Cord Length		9.85 Feet	9.85 Feet	9.85 Feet
Plug-In		NEMA 5-15P	NEMA 5-15P	NEMA 5-15p

\*Design and specifications can be changed without prior notice for product improvement.

### \* Recessed Handles

Turbo Air's recessed handle enhances our products aesthetically and functionally.

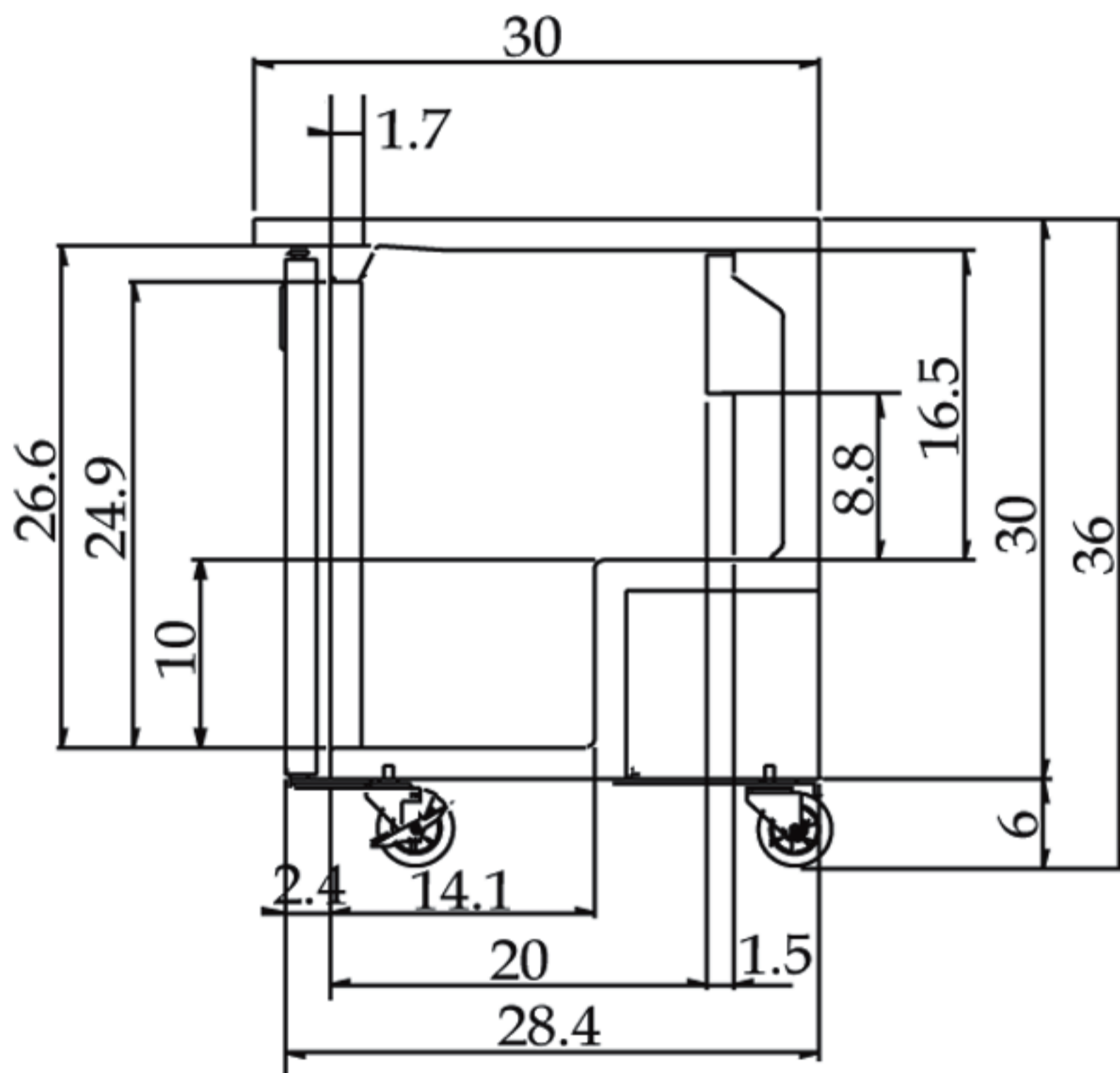
### \* 5" Casters Standard

### \* Back Splash Guard available

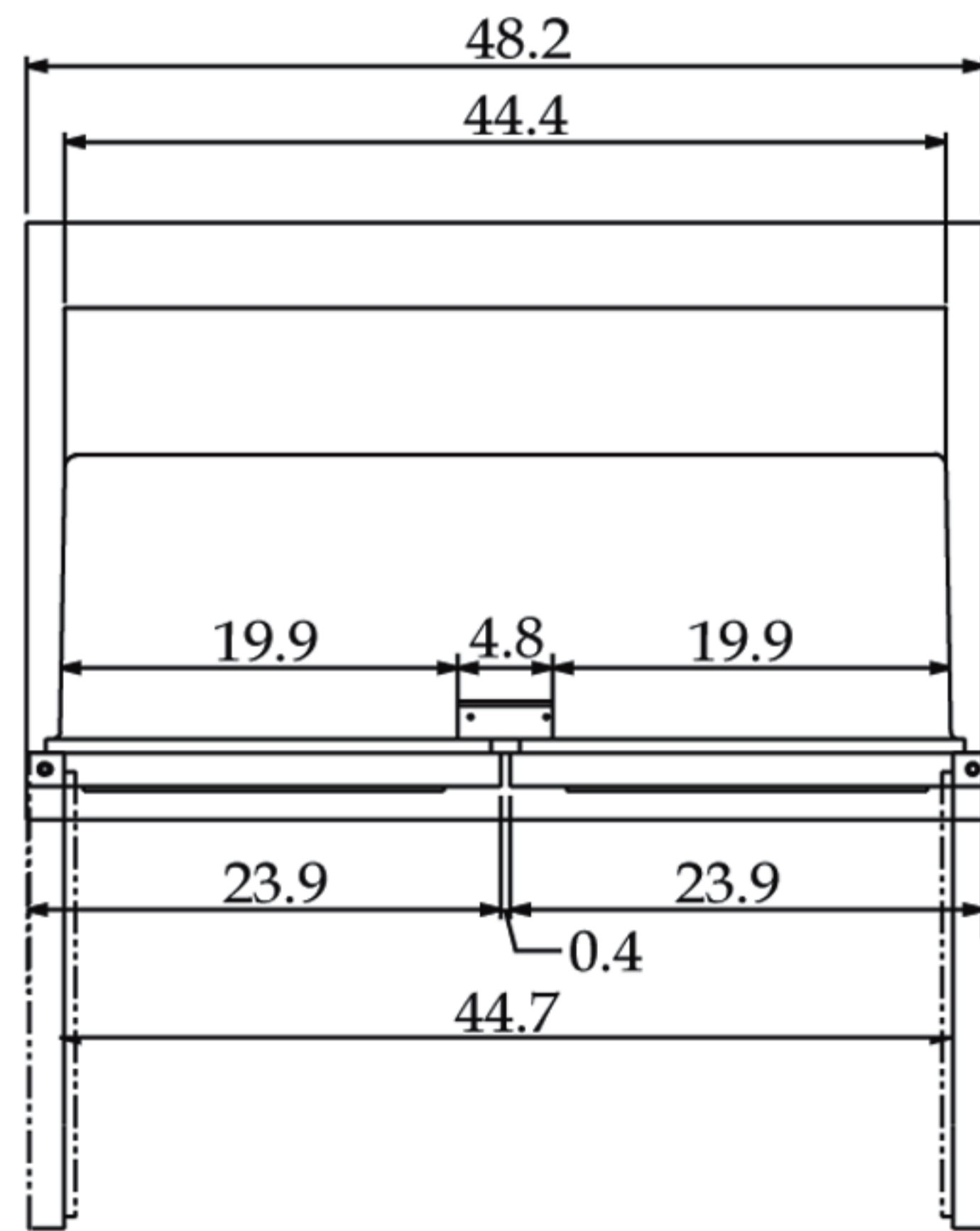
### \* Incandescent interior Lighting

### \* Holds -10°F~10°F

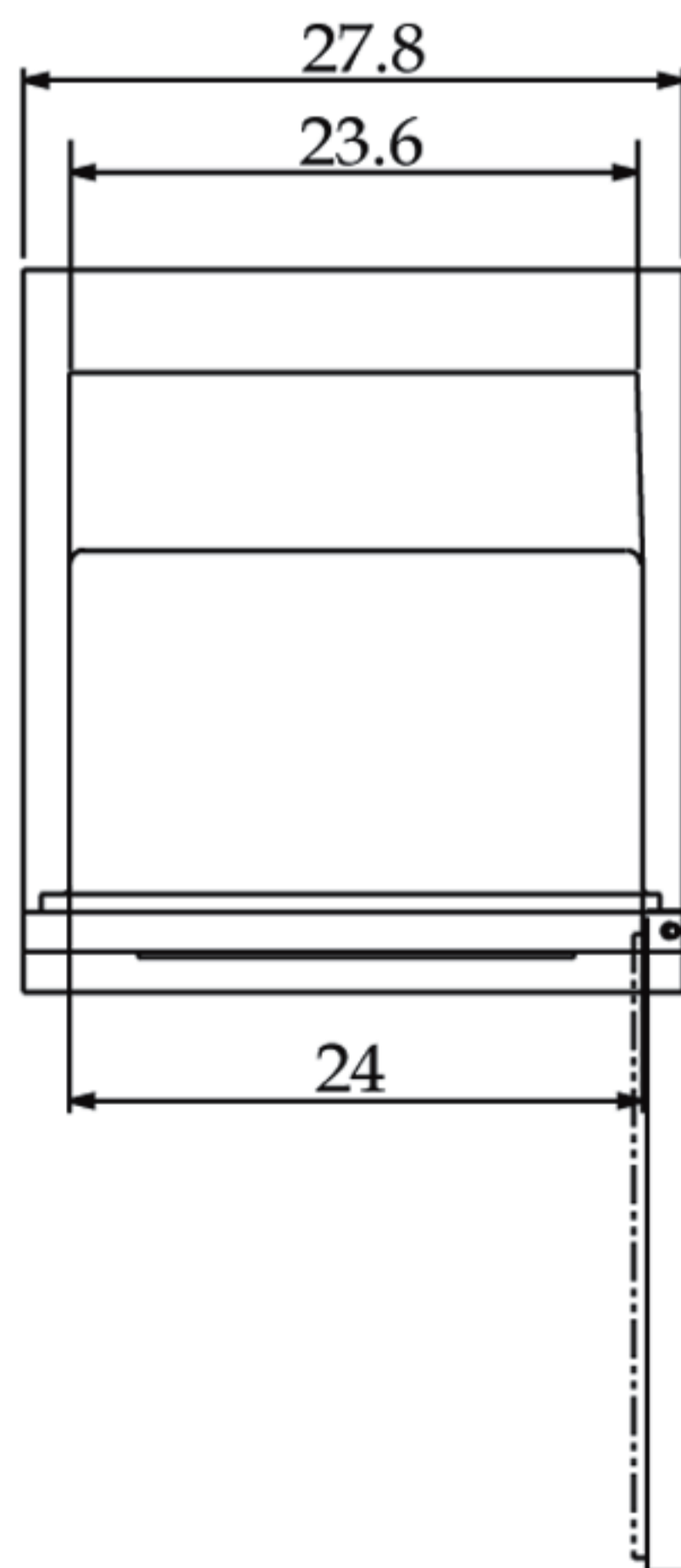
### \* 18 Month Labor and Parts Warranty for Super Deluxe Series



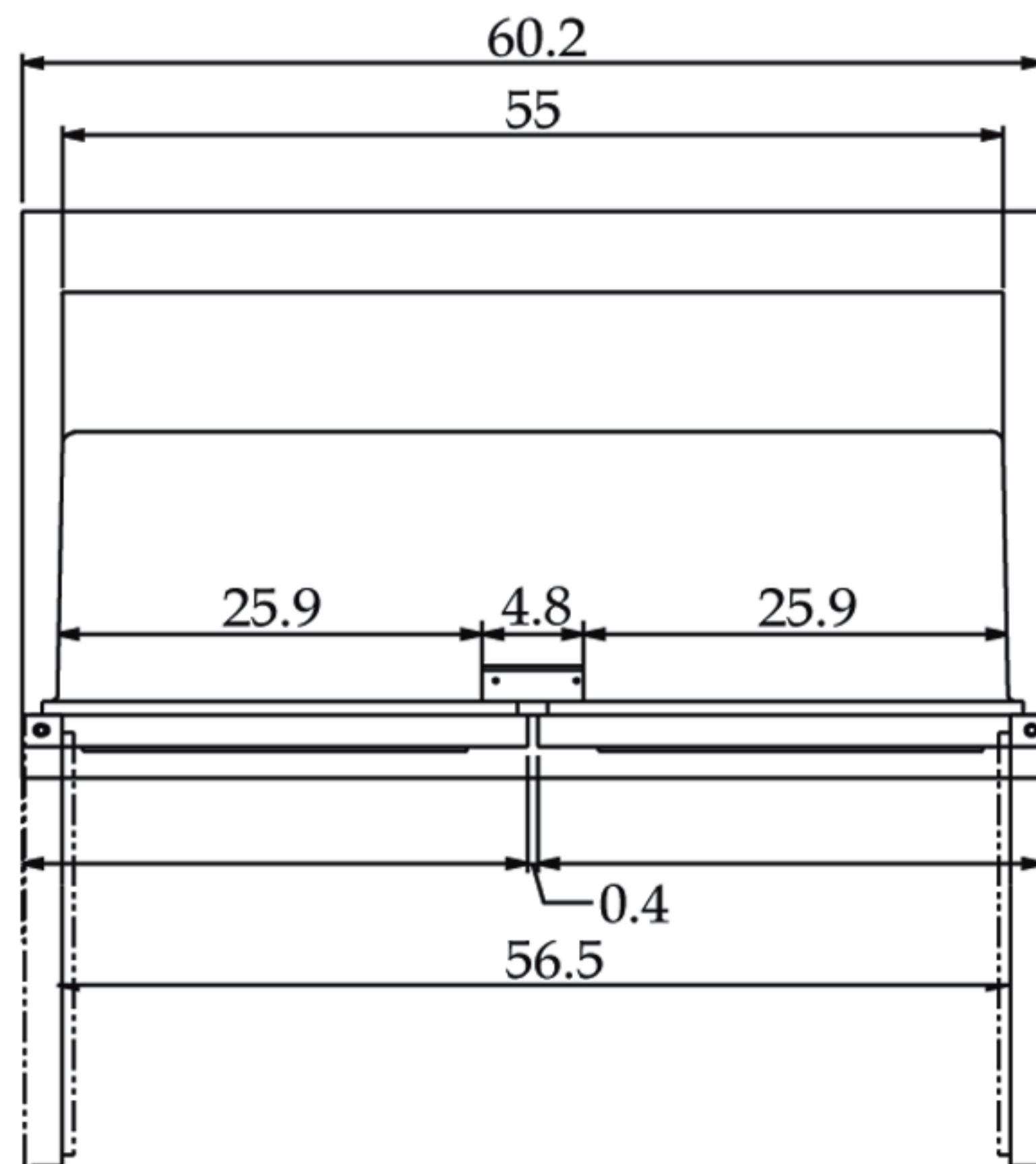
**ONE & TWO DOOR SIDE VIEW**



**TSF-48SD PLAN VIEW**



**TUF-28SD PLAN VIEW**



**TUF-60SD PLAN VIEW**

(unit : inch)